



## XIH SERIES

### P1.25 INDOOR LED DISPLAY

XIH series LED solutions deliver unrivalled versatility due to the variety of cabinet configurations available. Integrators specifying the XIH range have access to the broadest range of pixel pitch and aspect ratios options. Perfect for any internal space, these innovative Hisense LED modules include cable-less internal construction and full frontal access for ease of maintenance.

#### Highlights



##### **Black Coating Technology**

COB products are sealed with black epoxy resin on the surface, which guarantees a uniform colour.



##### **Extremely Reliable**

Flip-chip COB LED with no solder lines and electrodes directly welded to the PCB. No need to worry about the problem of easy breakage of the solder wire, it's more reliable.



##### **Better Protection**

Compared to SMD packaging, COB is one-piece potting sealing to protect important electronic devices. The display screen has the advantages of moisture-proof and anti-static, you can directly wipe the screen with water.



##### **Quick Installation and Easy Maintenance**

Full front installation, maintenance, save the installation space. Also supporting multiple installations, wall-mounting, hanging, which can meet the demands of various environments



##### **Automatic PQ Adjustment**

Hisense XIH series, the spare lamp board can be directly replaced, intelligent reading lamp board data, automatically complete the colour correction.

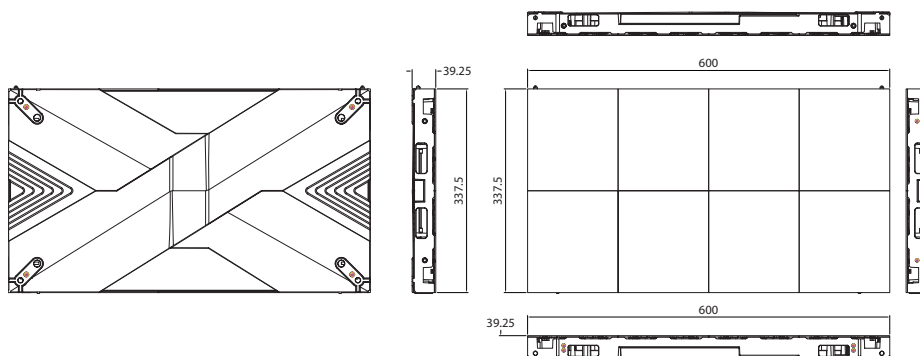


## Specifications

### XIH Series

<b>Model</b>	XIH012
<b>Pixel Pitch</b>	P1.25
<b>LED Package</b>	Flip-chip COB (1 Red, 1 Green, 1 Blue)
<b>Thickness (Excluding protrusions part)</b>	39.3mm / 1.55 inch
<b>Module Resolution</b>	120 x 135
<b>Module Size (W/H)</b>	150 x 168.75mm / 5.91 x 6.64 inch
<b>Cabinet Dimension (W/H)</b>	600 x 337.5mm / 23.62 x 13.29 inch
<b>Cabinet Resolution</b>	480 x 270
<b>Cabinet Weight (panel)</b>	≤5.5kg / ≤12.12lbs
<b>Cabinet Materials</b>	Die-cast Aluminium
<b>Brightness (typ.) (nits)</b>	600 (150-1,000 Adjustable)
<b>Contrast Ratio</b>	≥10,000:1 (According to the current Hisense test enviroment)
<b>Colour Gamut</b>	>90% BT.2020
<b>Brightness Uniformity</b>	97%
<b>Colour Uniformity</b>	±0.003 Cx, Cy
<b>Maintanance</b>	Front Access
<b>IP Rating</b>	IP20
<b>Max Power Consumption (W/sqm)</b>	≤370
<b>Avg Power Consumption (W/sqm)</b>	≤200
<b>Viewing Angle (H/V°)</b>	155 / 155
<b>Refresh Rate (Hz)</b>	3,840
<b>Operating Enviroment</b>	From -10~45°C
<b>Relative Humidity</b>	10~90%RH
<b>Lifetime (typ.)</b>	100,000 Hrs

## Display Dimensions



Product specifications may vary per region, and specifications are subject to change. This material may include corporate names and trademarks of third parties which are the properties of the third parties respectively.