



SP SERIES P10 OUTDOOR LED DISPLAY

SP Series outdoor LED solutions are perfect for any sports stadium fence advertising screen project. These ultra-reliable, high-brightness, low-power modules are also IP65 rated and automatic brightness adjustment for the ultimate effect in any climate or weather condition. The SP series supports live streaming and high grayscale & refresh functions, providing higher quality image effects and a smoother live streaming experience.

Highlights



Front & Rear Access

Supports front maintenance. No need to reserve space for maintenance.



Accurate Colour

Accurate colors to enhance the atmosphere of the site and at the same time better bring in commercial advertising revenue



Dual Power Backup

Switching to backup power in the event of a failure ensures that there are no unforeseen interruptions on the field of play.



Soft Louver & Rubber Protection

Anti-collision and soft louvers design, protect athletes from crashing.



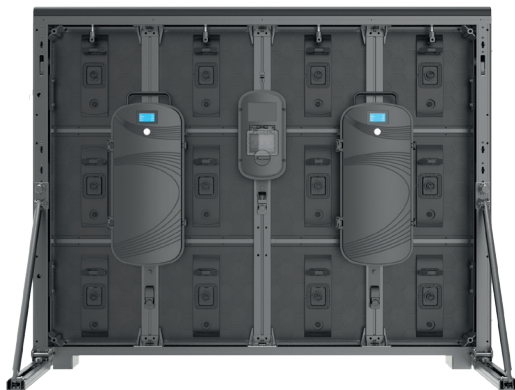
Flexible Laminated Protection

Designed with a flexible laminated, crash beams to protect athletes from injury as well as protect the product.



Intelligent Detection

Intelligent detection of temperature, voltage and working hours. Self powered, the display shows red, white, blue and other colors to detect whether it is working properly.



Specifications

SP100A

Physical

Pixel Pitch	10 mm
Pixel Configuration	SMD gold wire / SMD2727
Module Resolution (W x H)	32 x 32
Module Dimension (W x H)	320 x 320 mm / 12.60 x 12.60 inch
Cabinet Resolution (W x H)	128 x 96
Cabinet Dimension (W x H x D)	1280 x 960 x 150 mm 50.39 x 37.80 x 5.90 inch
No. of Modules per Cabinet (W x H)	4 x 3
Cabinet Weight	50 kg / 110.23 lbs
Cabinet Materials	Profile Aluminium

Optical

Brightness (Typ.)	6,000 nits
Contrast Ratio	4,000 : 1 (According to the current Hisense test environment)
Visual Viewing Angle (H x V)	140° x 120°
Bit Depth	16 bit
Color Temperature	6500K ± 500K

Electrical

Max Power Consumption per Cabinet	960 W
Avg Power Consumption per Cabinet	308 W
Max Power Consumption per Unit Area	780 W/m ²
Avg Power Consumption per Unit Area	250 W/m ²
Power Supply	100~240 V AC
Refresh Rate	3,840 Hz

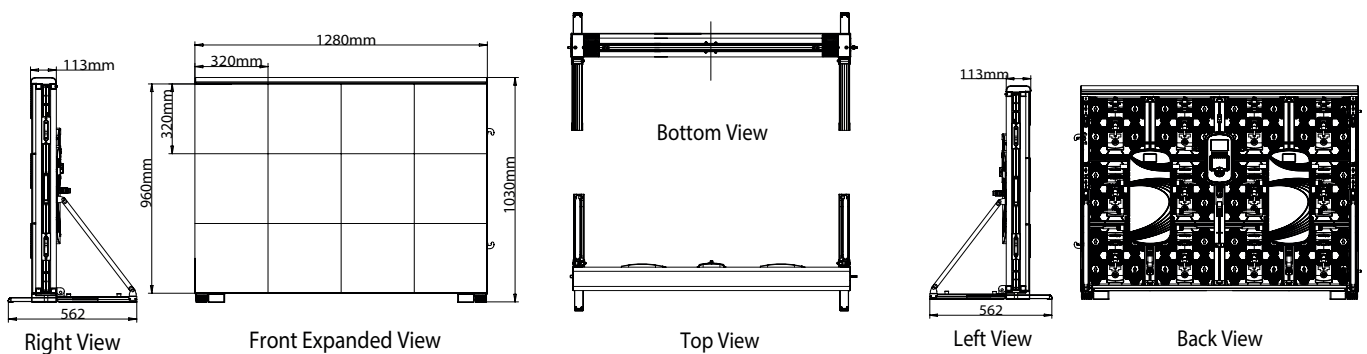
Operational

Operating Temp / Humidity	-20~50°C / 10~90% RH
Storage Temp / Humidity	-30~60°C / 10~90% RH
IP Rating	Front IP65 & Rear IP54
Lifetime	100,000 Hrs

Service

Maintenance	Front & Rear Access
-------------	---------------------

Display Dimensions



* Product specifications may vary per region, and specifications are subject to change. This material may include corporate names and trademarks of third parties which are the properties of the third parties respectively.